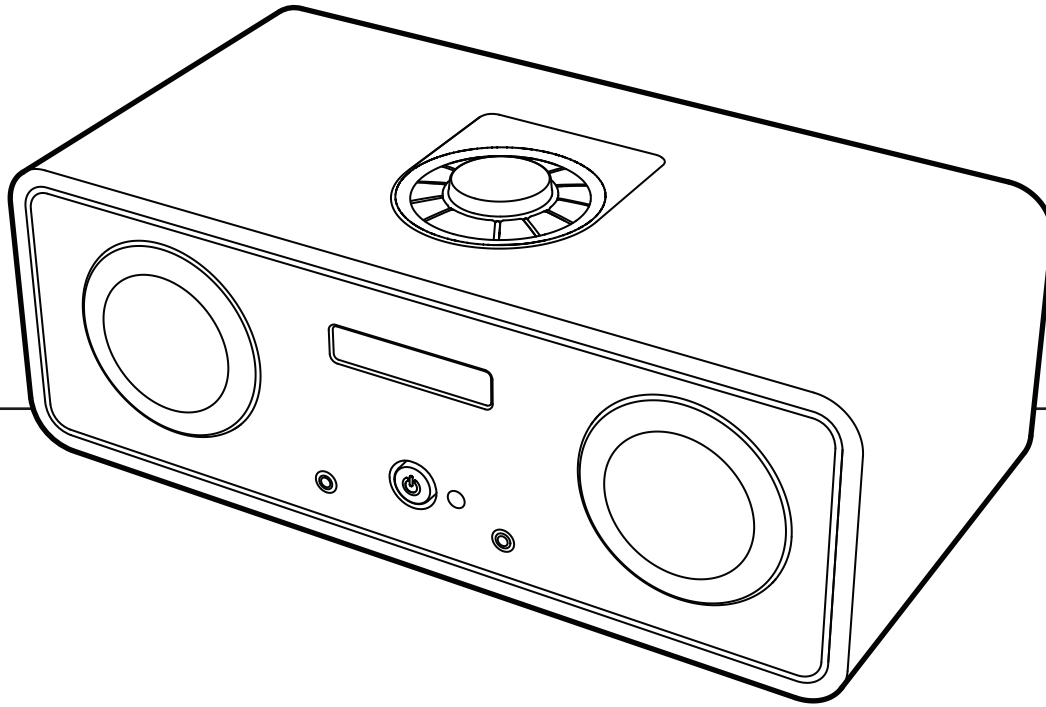


vitaaudio



User Guide
R2 DAB FM
Tabletop Stereo

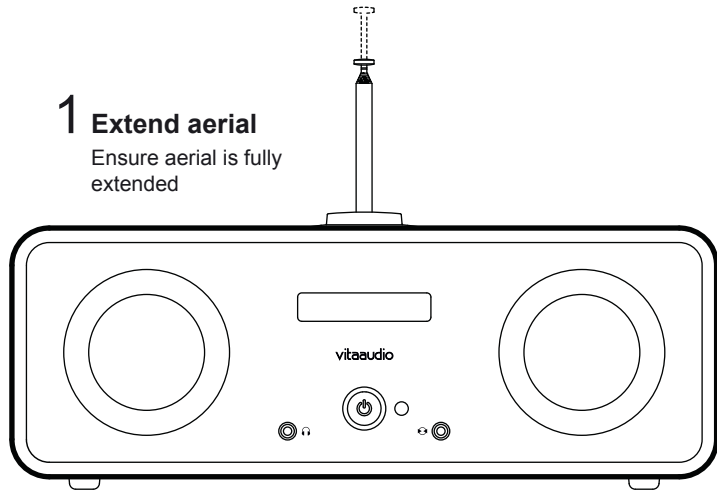
Important information:

Please read this manual carefully before operating your R2 and retain for future reference.

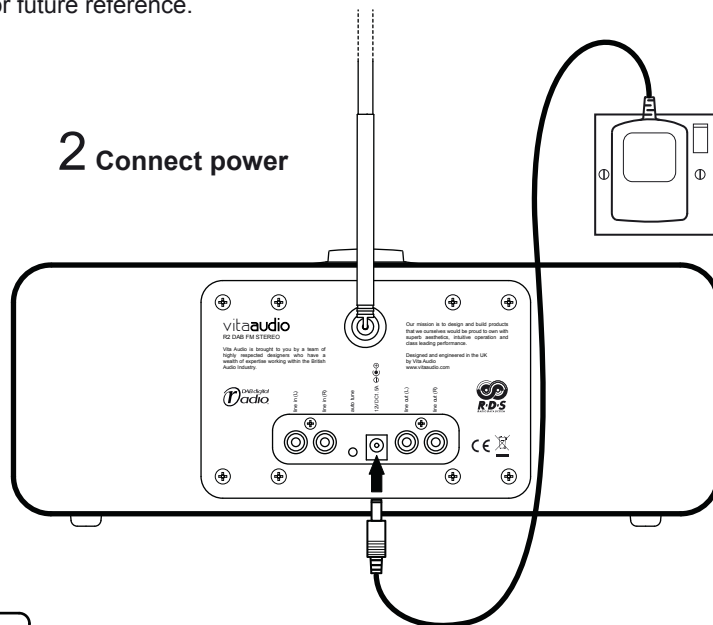
Quick Start

1 Extend aerial

Ensure aerial is fully extended



2 Connect power



3 Switch on



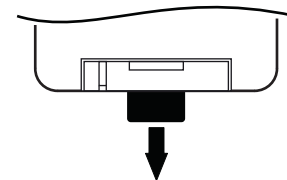
4 Wait....

Automatic tuning will find all available stations



5 Change station

▼ ▲ to tune
OK to select station



6 Activate remote

Remove the plastic tab to activate the battery

Controls



SLEEP

Setting sleep

press and hold **SLEEP**

▼ ▲ to toggle sleep ON/OFF

OK to confirm

▼ ▲ to change sleep duration

OK to confirm

Check current settings

press **SLEEP**

Quick ON/OFF

press **SLEEP**

press and hold **OK**



ALARM

Setting alarm

press and hold **ALARM** to view setup

▼ ▲ to toggle alarm ON/OFF

OK to confirm

▼ ▲ to change alarm time

OK to confirm

▼ ▲ to toggle alarm BUZZ/RADIO

OK to confirm

View current settings

press **ALARM**

Alarm ON/OFF

press **ALARM**

press and hold **OK**

PRESETS

Select preset station - press

Store station - press and hold



SOURCE

Change source

press **SOURCE** to cycle between

DAB, FM, AUX1 and AUX2



INFO

Change on screen information

press **INFO**

DAB mode

- Artist / track name / program details
- Signal strength
- Program type - e.g. classic, pop
- Data rate - in kilo bits per second
- Multiplex name - station network
- Time and date

FM mode

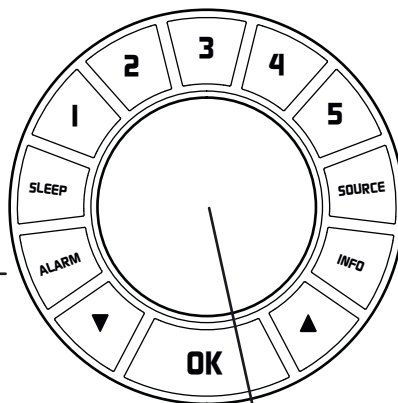
- Artist / track name / program details
- Signal strength
- Program type - e.g. classic, pop
- Station name
- Audio mode - auto (stereo) or mono
- Time and date

Manual tune

press and hold **INFO**

▼ ▲ - change frequency

OK key to confirm.



Volume - rotate

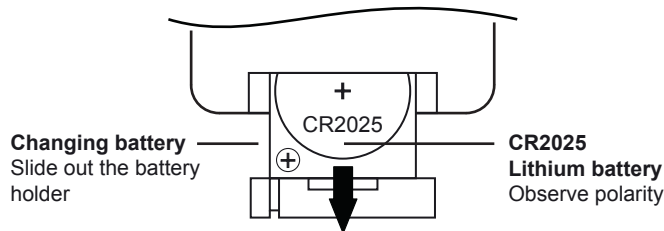
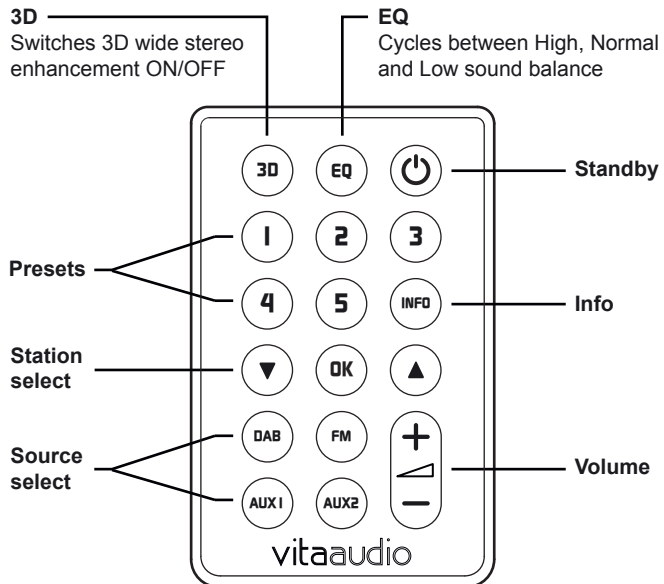


Snooze - press when the alarm sounds to activate 5 minute timer

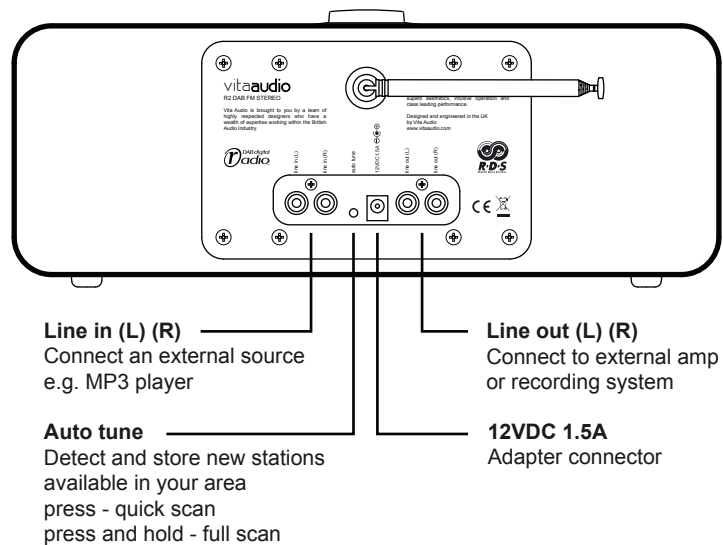
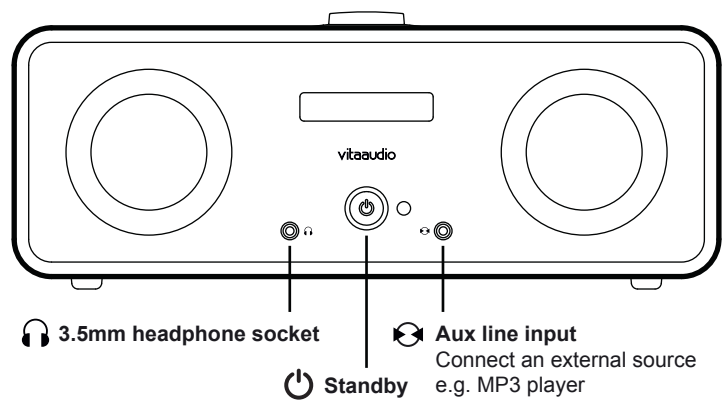


Cancel alarm - press and hold

Remote Control



Getting to know your R2



Other Functions

Secondary stations

Some stations have one or more secondary services associated with them. When secondary stations are available a > sign is shown after the station name:



Press **OK** to select between the secondary station/s and the primary station.

FM mode - Mono / Stereo switching

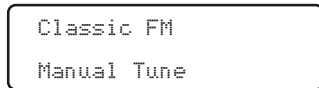
In FM mode the R2 will automatically select Mono or Stereo mode depending on the signal strength. To reduce any background hiss you can manually switch the R2 from Auto (stereo) to Mono mode.

Press and hold **OK** to switch between Auto (stereo) and Mono.

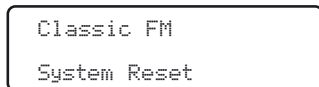
System Reset

System Reset restores the R2 to the default factory settings and will initiate a new DAB station scan.

Press and hold **INFO** until the display shows:



Press **INFO** key and the display will show:



Press **OK** to confirm

Maintenance

To maintain your radios performance and finish please:

- Clean with a soft lint free duster or slightly dampened cloth.
- Protect the RotoDial, drive units and contacts from wax sprays and other substances. Contact with these substances may degrade the system's performance.
- Natural wood finish cabinets will vary and lighten or darken with age particularly when exposed to sunlight.
- Do not expose your R2 to direct sunlight, high humidity, dust, excessive vibration or extreme temperatures all of which can affect the finish, performance and reliability of the unit.
- The recommended operating temperature range for the R2 is 5°C to 40°C.
- Make sure that liquids, including rain, cannot penetrate the unit.

Specifications

R2 DAB/FM tabletop stereo

DAB	Band III DAB
FM	88MHz to 108MHz
Output power	7W nominal
Driver	2 x 3.5" full range
Power requirements	12VDC 1.5A
Dimensions	120H x 340W x 170D
Weight	3.5KG

R2 power adapter

Input power	100V to 240VAC 50-60Hz 0.5A
Output power	12VDC 1.5A

Guarantee Information

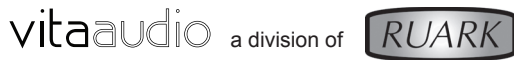
Ruark Distribution Ltd guarantees this product to be free from defects for a period of two years from date of purchase providing due care and attention has been paid. Product failure through accidental damage (however caused), excessive wear and tear, negligence or unauthorized modification will void your guarantee.

Should you experience a problem with your radio please in the first instance contact your dealer or if this is not possible contact us directly. Where possible the product should be returned in its original packaging. If it is not possible to return the product by hand, then it should be sent carriage prepaid by a reputable parcel carrier. If the original packing is not available, replacement packing can be purchased from us.

Guarantee for Overseas Sales

The distributor in the country of purchase guarantees products purchased outside the UK. For details, please contact your local Vita Audio distributor or outlet.

THIS GUARANTEE IN NO WAY VARIES OR REMOVES THE PURCHASERS STATUTORY RIGHTS. E&OE



59 Tailors Court - Temple Farm Industrial Estate - Southend on Sea - Essex - SS2 5TH - UK
Tel: +44 (0) 1702 601 410 Fax: +44 (0) 1702 601 414 info@vitaaudio.com www.vitaaudio.com